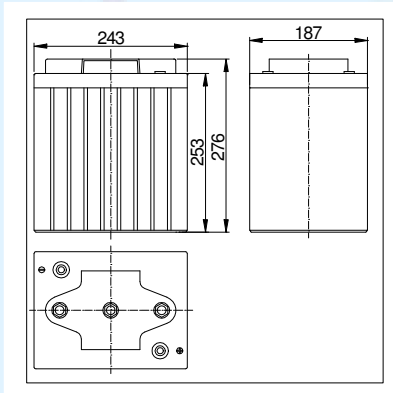
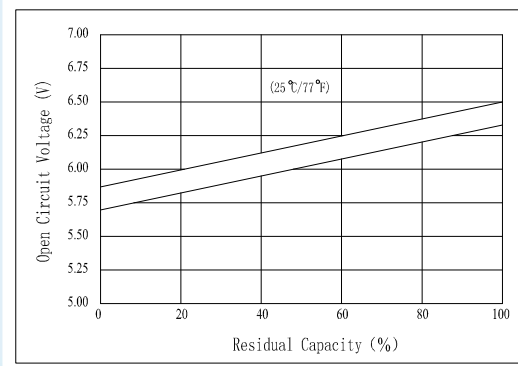


Dimensions



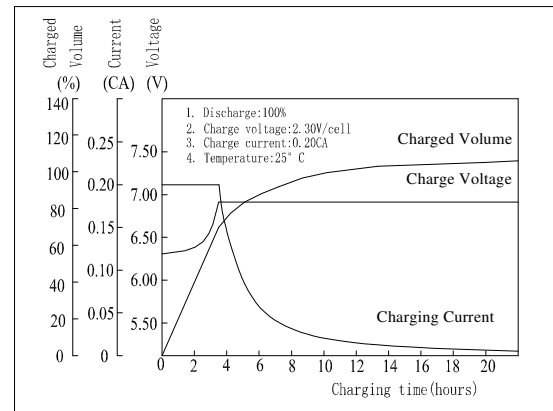
The Relationship for Open Circuit Voltage and Residual Capacity (25°C)



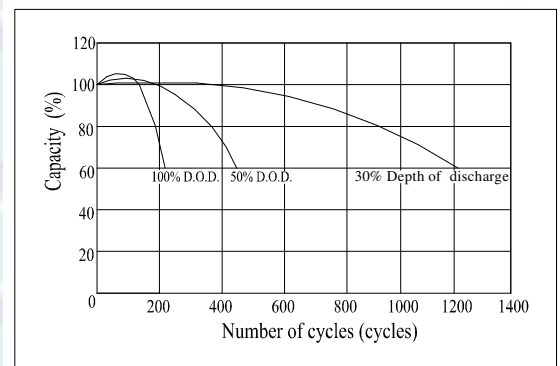
Specifications

Nominal Voltage		6 V
Capacity(10HR, 25°C)		225 Ah
Dimension	Length	243mm (9.57inch)
	Width	187mm (7.36inch)
	Height	253mm (9.96inch)
	Total Height	276mm (10.9inch)
Approx. Weight		33kg (72.8lbs)
Internal resistance (Fully charged, 25°C)		Approx. 3.0mΩ
Capacity affected by temperature (10HR)	40°C	102%
	25°C	100%
	0°C	85%
	-15°C	65%
Self-discharge (25°C)	3 month	Remaining Capacity: 91%
	6 month	Remaining Capacity: 82%
	12 month	Remaining Capacity: 65%
Nominal operating temperature		25°C ±3 (77°F ±5°F)
Operating temperature range		-15°C~50 (5°F~122°F)
Float charging voltage(25°C)		6.75 to 6.90V
Cyclic charging voltage(25°C)		7.25 to 7.45V
Maximum charging current		66A
Terminal material		Copper
Maximum discharge current		1760A(5 sec.)

Charging Characteristics(25°C)



Cycle Life(25°C)



- AGM and VRLA technology;
- Recognized by UL & CE;
- ABS container. Orange, Blue or Black Color.

Note: Floating life at 20°C designed for 10 years.

Constant Current Discharge Characteristics (A, 25°C)

F.V/TIME	5min	10min	15min	30min	60min	3h	5h	10h	20h
4.80V	693	462	363	229	139	56.9	40.2	22.3	11.7
5.10V	658	439	348	220	133	56.1	39.6	22.1	11.6
5.40V	619	413	331	209	126	55.0	38.8	22.0	11.4

Constant Power Discharge Characteristics (Watt, 25°C)

F.V/TIME	5min	10min	15min	30min	60min	3h	5h	10h	20h
4.80V	3638	2495	1993	1284	790	335	238	133	69.6
5.10V	3456	2370	1913	1232	758	330	234	132	69.1
5.40V	3249	2228	1817	1171	720	323	229	132	68.6