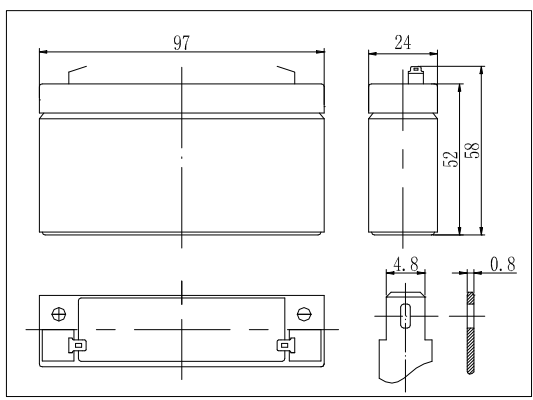
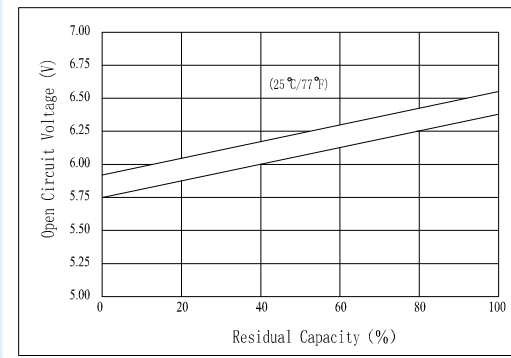


Dimensions



The Relationship for Open Circuit Voltage and Residual Capacity (25°C)

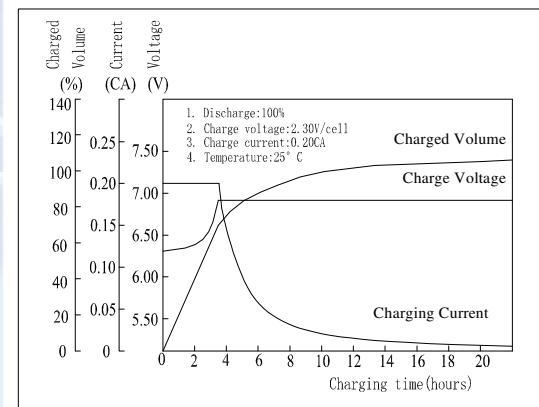


Specifications

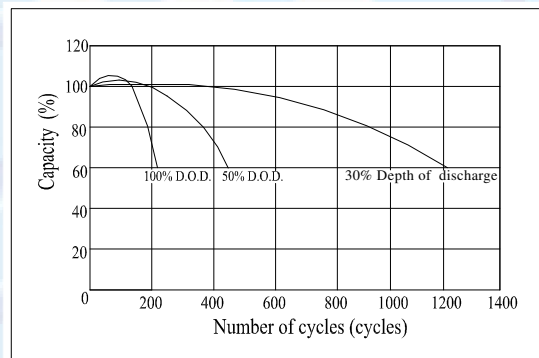
Nominal Voltage		6 V
Capacity(20HR, 25°C)		1.2 Ah
Dimension	Length	97mm (3.82inch)
	Width	24mm (0.94inch)
	Height	52mm (2.05inch)
	Total Height	58mm (2.28inch)
Approx. Weight		0.31kg (0.68lbs)
Internal resistance (Fully charged, 25°C)		Approx. 50mΩ
Capacity affected by temperature (20HR)	40°C	102%
	25°C	100%
	0°C	85%
	-15°C	65%
Self-discharge (25°C)	3 month	Remaining Capacity: 91%
	6 month	Remaining Capacity: 82%
	12 month	Remaining Capacity: 65%
Nominal operating temperature		25°C±3°C(77°F±5°F)
Operating temperature range		-15°C~50°C (5°F~122°F)
Float charging voltage(25°C)		6.80 to 6.90V
Cyclic charging voltage(25°C)		7.25 to 7.45V
Maximum charging current		0.36A
Terminal material		Copper
Maximum discharge current		18A(5 sec.)

- AGM and VRLA technology;
- Recognized by UL & CE;
- ABS container. Orange, Blue or Black Color.

Charging Characteristics(25°C)



Cycle Life(25°C)



Note: Floating life at 20°C designed for 5 years.

Constant Current Discharge Characteristics (A, 25°C)

F.V/TIME	5min	10min	15min	30min	60min	3h	5h	10h	20h
4.80V	5.00	3.20	2.50	1.45	0.82	0.33	0.22	0.12	0.06
5.10V	4.75	3.04	2.40	1.39	0.79	0.33	0.22	0.12	0.06
5.40V	4.47	2.86	2.28	1.32	0.75	0.32	0.21	0.12	0.06

Constant Power Discharge Characteristics (Watt, 25°C)

F.V/TIME	5min	10min	15min	30min	60min	3h	5h	10h	20h
4.80V	27.9	18.1	14.3	8.30	4.75	1.96	1.33	0.72	0.38
5.10V	26.5	17.2	13.7	7.95	4.57	1.96	1.31	0.72	0.38
5.40V	24.9	16.1	13.0	7.55	4.34	1.90	1.29	0.72	0.37