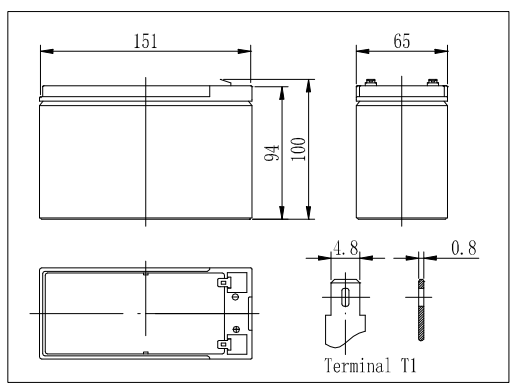
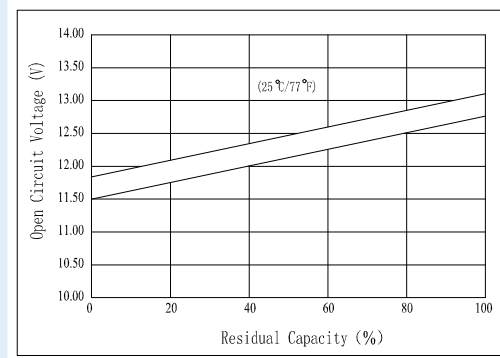


Dimensions



The Relationship for Open Circuit Voltage and Residual Capacity (25°C)

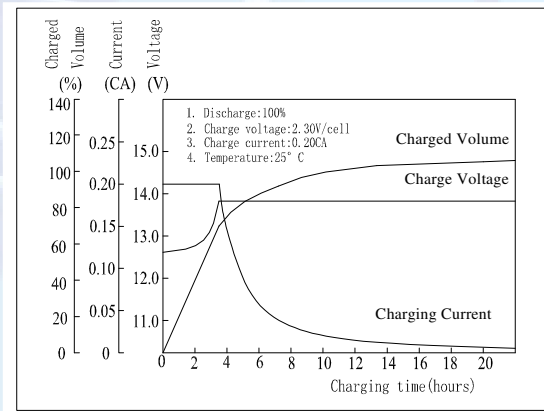


Specifications

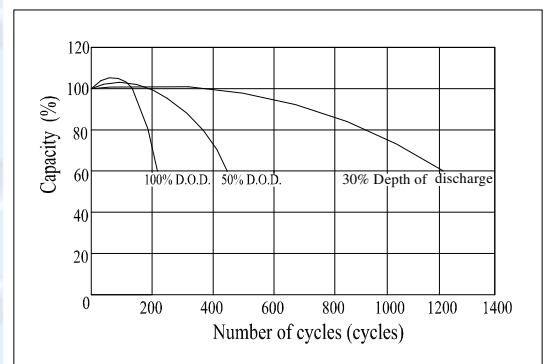
Nominal Voltage		12 V
Capacity(20HR, 25°C)		7.8 Ah
Dimension	Length	151±1mm (5.94inch)
	Width	65±1mm (2.56inch)
	Height	94±2mm (3.70inch)
	Total Height	100±2mm (3.94inch)
Approx. Weight		2.35±0.09kg (5.18lbs)
Internal resistance (Fully charged, 25°C)		Approx. 25mΩ
Capacity affected by temperature (20HR)	40°C	102%
	25°C	100%
	0°C	85%
	-15°C	65%
Self-discharge (25°C)	3 month	Remaining Capacity: 91%
	6 month	Remaining Capacity: 82%
	12 month	Remaining Capacity: 65%
Nominal operating temperature		25°C±3°C(77°F±5°F)
Operating temperature range		-15°C~50°C (5°F~122°F)
Float charging voltage(25°C)		13.60 to 13.80V
Cyclic charging voltage(25°C)		14.50 to 14.90V
Maximum charging current		2.1A
Terminal material		Copper
Maximum discharge current		105A(5 sec.)

- AGM and VRLA technology;
- Recognized by UL & CE;
- ABS container. Orange, Blue or Black Color.

Charging Characteristics(25°C)



Cycle Life(25°C)



Note: Floating life at 20°C designed for 5 years.

Constant Current Discharge Characteristics (A, 25°C)

F.V/TIME	5min	10min	15min	30min	60min	3h	5h	10h	20h
9.60V	27.0	18.0	14.0	8.00	4.70	1.73	1.15	0.71	0.37
10.2V	25.7	17.1	13.4	7.66	4.55	1.70	1.13	0.70	0.36
10.8V	24.2	16.1	12.7	7.26	4.35	1.65	1.10	0.68	0.35

Constant Power Discharge Characteristics (Watt, 25°C)

F.V/TIME	5min	10min	15min	30min	60min	3h	5h	10h	20h
9.60V	301	203	160	91.7	54.4	20.6	13.8	8.52	4.43
10.2V	287	191	153	87.8	52.7	20.2	13.6	8.40	4.33
10.8V	270	180	145	83.2	50.4	19.6	13.2	8.17	4.21