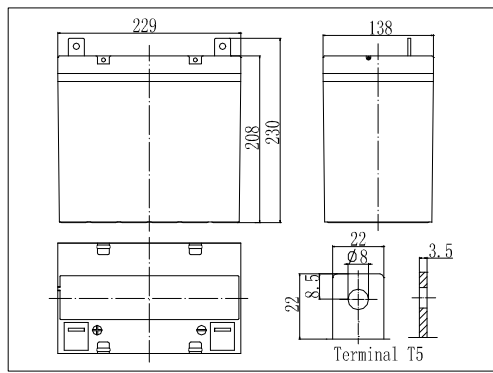


## Dimensions

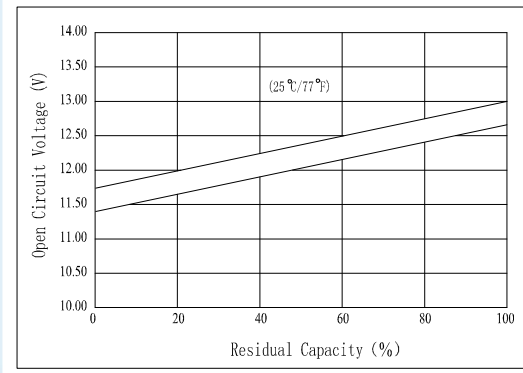


## Specifications

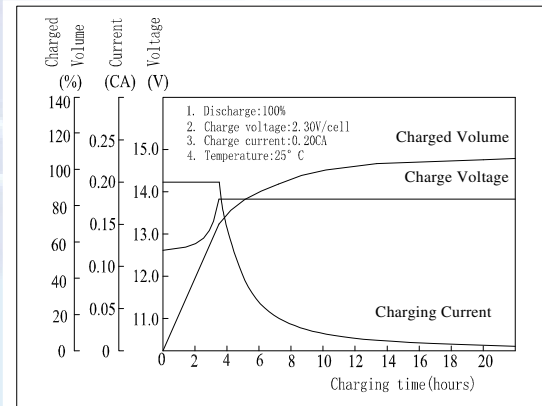
Nominal Voltage	12 V	
Capacity(10HR, 25°C)	55Ah	
Dimension	Length	229mm (9.02inch)
	Width	138mm (5.43inch)
	Height	208mm (8.19inch)
	Total Height	230mm (9.06inch)
Approx. Weight	19.5kg (43.0lbs)	
Internal resistance (Fully charged, 25°C)	Approx.5.8mΩ	
Capacity affected by temperature (10HR)	40°C	102%
	25°C	100%
	0°C	85%
	-15°C	65%
Self-discharge (25°C)	3 month	Remaining Capacity: 91%
	6 month	Remaining Capacity: 82%
	12 month	Remaining Capacity: 65%
Nominal operating temperature	25°C±3°C(77°F±5°F)	
Operating temperature range	-15°C~50°C (5°F~122°F)	
Float charging voltage(25°C)	13.50 to 13.80V	
Cyclic charging voltage(25°C)	14.50 to 14.90V	
Maximum charging current	16.5A	
Terminal material	Copper	
Maximum discharge current	550A(5 sec.)	

- AGM and VRLA technology;
- Recognized by UL & CE;
- ABS container. Orange, Blue or Black Color.

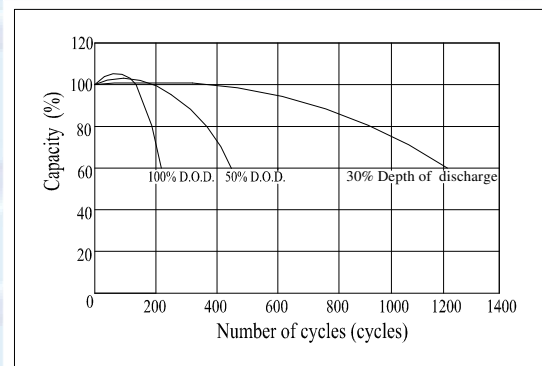
## The Relationship for Open Circuit Voltage and Residual Capacity (25°C)



## Charging Characteristics (25°C)



## Cycle Life (25°C)



Note: Floating life at 20°C designed for 10 years.

## Constant Current Discharge Characteristics (A, 25°C)

F.V/TIME	5min	10min	15min	30min	60min	3h	5h	10h	20h
9.60V	180	130	100	62.0	36.0	14.7	10.0	5.58	2.89
10.2V	171	124	96.0	59.5	34.6	14.5	9.9	5.53	2.88
10.8V	161	116	91.2	56.5	32.8	14.2	9.7	5.50	2.85

## Constant Power Discharge Characteristics (Watt, 25°C)

F.V/TIME	5min	10min	15min	30min	60min	3h	5h	10h	20h
9.60V	1890	1404	1098	696	410	173	118	66.6	34.7
10.2V	1796	1334	1054	668	394	171	117	66.0	34.6
10.8V	1688	1254	1001	634	374	167	115	65.7	34.2