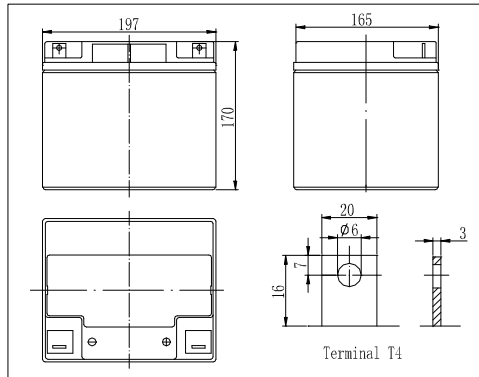
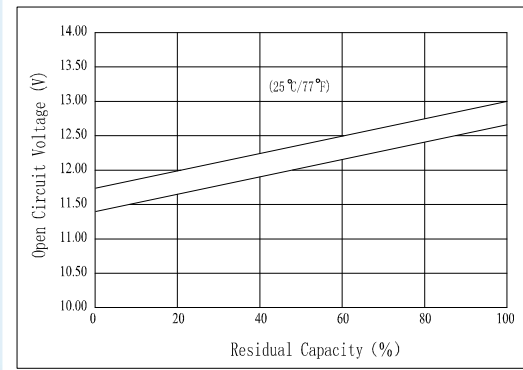


Dimensions



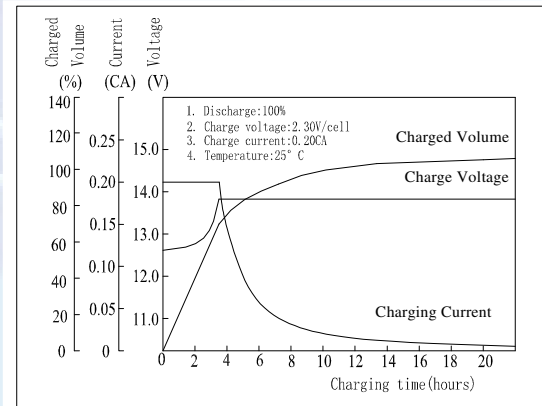
The Relationship for Open Circuit Voltage and Residual Capacity (25°C)



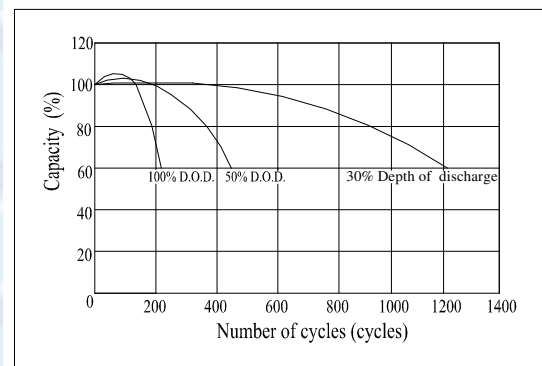
Specifications

Nominal Voltage		12 V
Capacity(10HR, 25°C)		45Ah
Dimension	Length	197mm (7.76inch)
	Width	165mm (6.5inch)
	Height	170mm (6.69inch)
	Total Height	170mm (6.69inch)
Approx. Weight		13.7kg (30.2lbs)
Internal resistance (Fully charged, 25°C)		Approx.8.0mΩ
Capacity affected by temperature (10HR)	40°C	102%
	25°C	100%
	0°C	85%
	-15°C	65%
Self-discharge (25°C)	3 month	Remaining Capacity: 91%
	6 month	Remaining Capacity: 82%
	12 month	Remaining Capacity: 65%
Nominal operating temperature		25°C±3°C (77°F±5°F)
Operating temperature range		-15°C~50°C (5°F~122°F)
Float charging voltage(25°C)		13.50 to 13.80V
Cyclic charging voltage(25°C)		14.50 to 14.90V
Maximum charging current		13.5A
Terminal material		Copper
Maximum discharge current		450A(5 sec.)

Charging Characteristics(25°C)



Cycle Life(25°C)



- AGM and VRLA technology;
- Recognized by UL & CE;
- ABS container. Orange, Blue or Black Color.

Note: Floating life at 20°C designed for 10 years.

Constant Current Discharge Characteristics (A, 25°C)

F.V/TIME	5min	10min	15min	30min	60min	3h	5h	10h	20h
9.60V	130	88.0	73.0	43.0	27.0	11.2	7.82	4.47	2.28
10.2V	124	83.6	70.1	41.3	25.9	11.0	7.70	4.43	2.26
10.8V	116	78.6	66.6	39.2	24.6	10.8	7.55	4.40	2.25

Constant Power Discharge Characteristics (Watt, 25°C)

F.V/TIME	5min	10min	15min	30min	60min	3h	5h	10h	20h
9.60V	1365	950	802	482	308	131	92.4	53.3	27.4
10.2V	1297	903	769	463	295	129	91.0	52.9	27.2
10.8V	1219	849	731	440	281	127	89.2	52.9	27.0