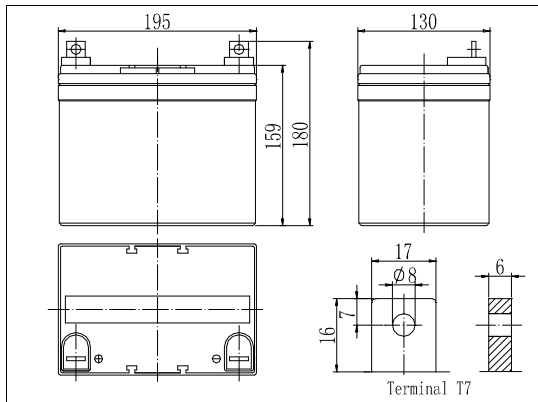
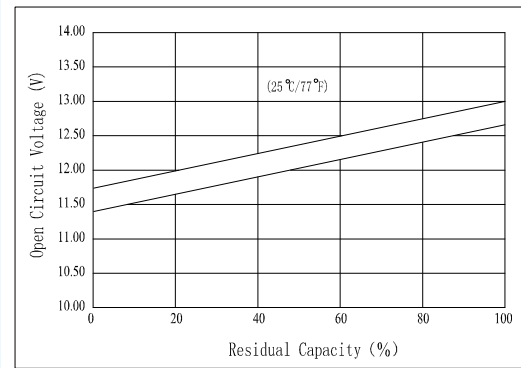


Dimensions



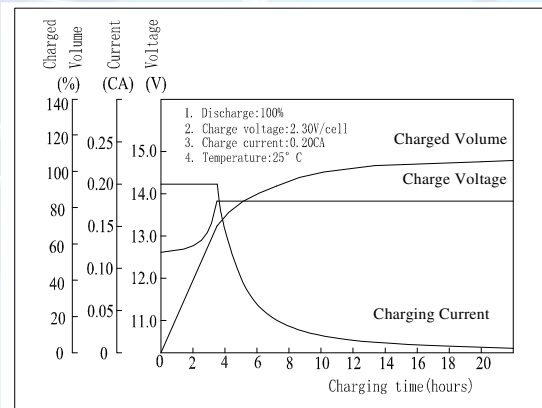
The Relationship for Open Circuit Voltage and Residual Capacity (25°C)



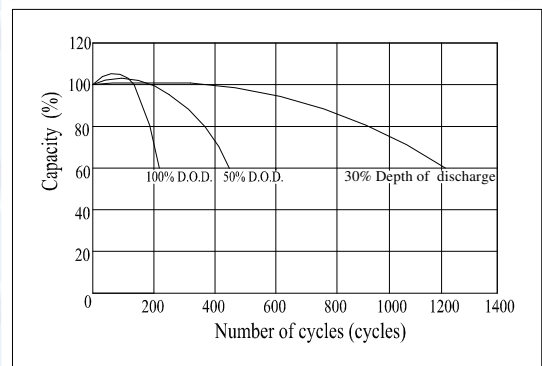
Specifications

Nominal Voltage		12 V
Capacity(10HR, 25°C)		35 Ah
Dimension	Length	195mm (7.68inch)
	Width	130mm (5.12inch)
	Height	159mm (6.26inch)
	Total Height	180mm (7.09inch)
Approx. Weight		10.2kg (22.5lbs)
Internal resistance (Fully charged, 25°C)		Approx. 10mΩ
Capacity affected by temperature (10HR)	40°C	102%
	25°C	100%
	0°C	85%
	-15°C	65%
Self-discharge (25°C)	3 month	Remaining Capacity: 91%
	6 month	Remaining Capacity: 82%
	12 month	Remaining Capacity: 65%
Nominal operating temperature		25°C±3°C(77°F±5°F)
Operating temperature range		-15°C~50°C (5°F~122°F)
Float charging voltage(25°C)		13.50 to 13.80V
Cyclic charging voltage(25°C)		14.50 to 14.90V
Maximum charging current		9.9A
Terminal material		Lead
Maximum discharge current		330A(5 sec.)

Charging Characteristics(25°C)



Cycle Life(25°C)



Note: Floating life at 20°C designed for 10 years.

- AGM and VRLA technology;
- Recognized by UL & CE;
- ABS container. Orange, Blue or Black Color

Constant Current Discharge Characteristics (A, 25°C)

F.V/TIME	5min	10min	15min	30min	60min	3h	5h	10h	20h
9.60V	110	70.5	58.0	34.0	20.8	8.85	6.07	3.35	1.74
10.2V	105	67.0	55.6	32.6	20.0	8.60	5.95	3.33	1.72
10.8V	98.6	63.0	52.8	31.0	19.0	8.25	5.77	3.30	1.68

Constant Power Discharge Characteristics (Watt, 25°C)

F.V/TIME	5min	10min	15min	30min	60min	3h	5h	10h	20h
9.60V	1155	762	637	381	237	104	71.7	40.0	20.9
10.2V	1101	724	611	365	228	101	70.3	39.8	20.6
10.8V	1035	680	580	348	205	97	68.2	39.4	20.2