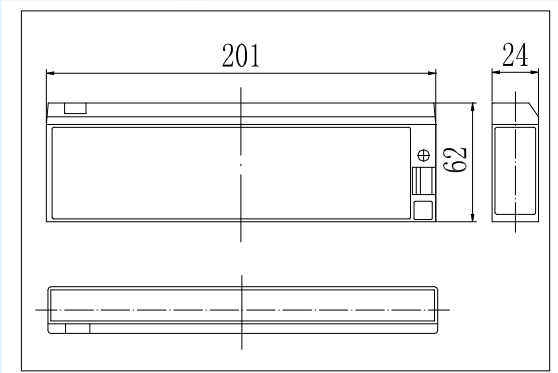
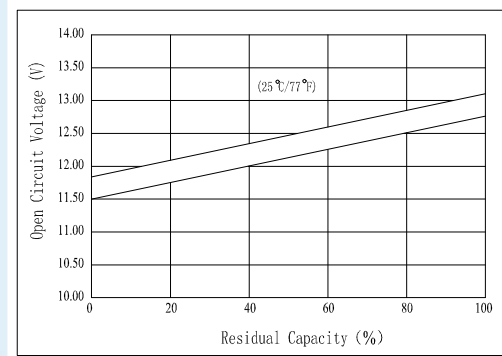


Dimensions



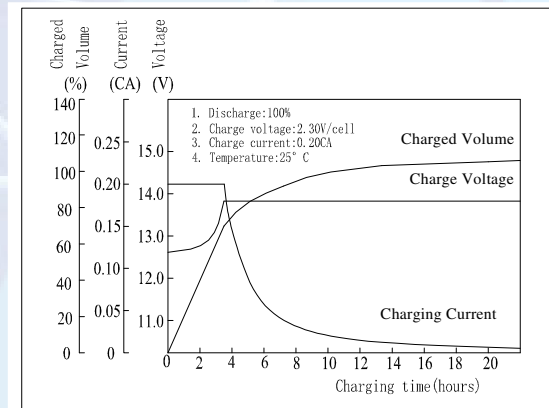
The Relationship for Open Circuit Voltage and Residual Capacity (25°C)



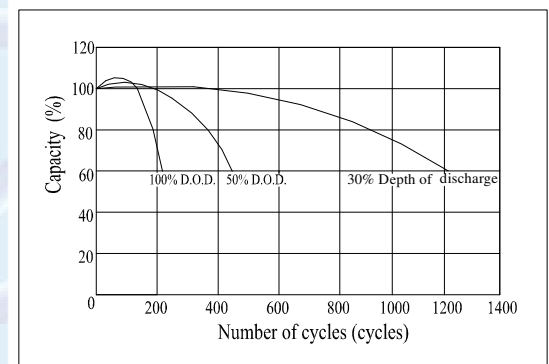
Specifications

Nominal Voltage	12 V	
Capacity(20HR, 25°C)	2.3 Ah	
Dimension	Length	201mm (7.91inch)
	Width	24mm (0.94inch)
	Height	62mm (2.44inch)
	Total Height	62mm (2.44inch)
Approx. Weight	0.72kg (1.60lbs)	
Internal resistance (Fully charged, 25°C)	Approx. 120mΩ	
Capacity affected by temperature (20HR)	40°C	102%
	25°C	100%
	0°C	85%
	-15°C	65%
Self-discharge (25°C)	3 month	Remaining Capacity: 91%
	6 month	Remaining Capacity: 82%
	12 month	Remaining Capacity: 65%
Nominal operating temperature	25°C±3°C(77°F±5°F)	
Operating temperature range	-15°C~50°C (5°F~122°F)	
Float charging voltage(25°C)	13.60 to 13.80V	
Cyclic charging voltage(25°C)	14.50 to 14.90V	
Maximum charging current	0.69A	
Terminal material	Copper	
Maximum discharge current	11.5A(5 sec.)	

Charging Characteristics(25°C)



Cycle Life(25°C)



- AGM and VRLA technology;
- Recognized by UL & CE;
- ABS container. Orange, Blue or Black Color

Note: Floating life at 20°C designed for 5 years.

Constant Current Discharge Characteristics (A, 25°C)

F.V/TIME	5min	10min	15min	30min	60min	3h	5h	10h	20h
9.60V	7.70	4.80	3.85	2.35	1.38	0.53	0.38	0.20	0.115
10.2V	7.32	4.56	3.70	2.26	1.32	0.52	0.37	0.20	0.115
10.8V	6.88	4.29	3.51	2.14	1.26	0.51	0.36	0.20	0.115

Constant Power Discharge Characteristics (Watt, 25°C)

F.V/TIME	5min	10min	15min	30min	60min	3h	5h	10h	20h
9.60V	85.9	54.1	43.9	26.9	16.0	6.27	4.48	2.41	1.40
10.2V	81.6	51.4	42.1	25.9	15.3	6.18	4.42	2.41	1.39
10.8V	76.7	48.4	40.0	24.6	14.6	6.05	4.33	2.41	1.38