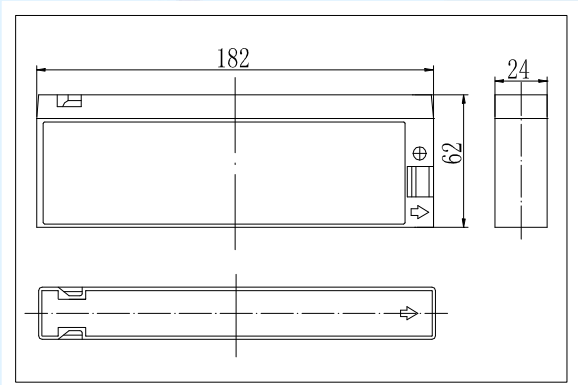
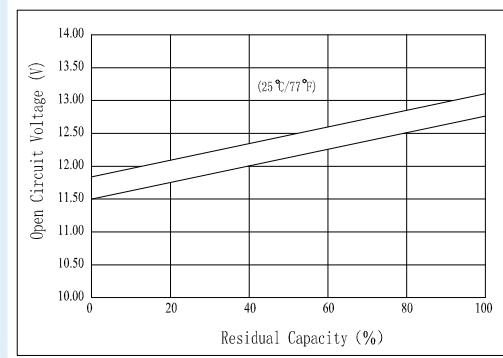


## MT1223C(12V2.3Ah)

### Dimensions



### The Relationship for Open Circuit Voltage and Residual Capacity (25°C)

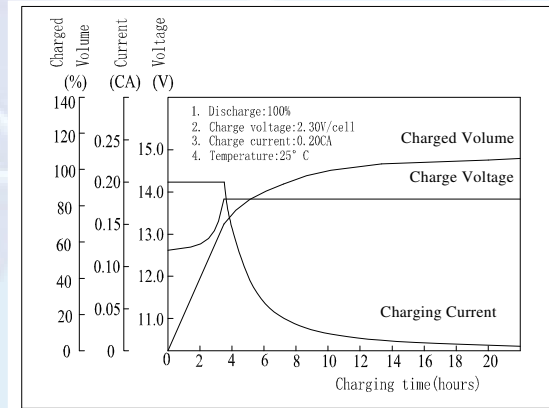


### Specifications

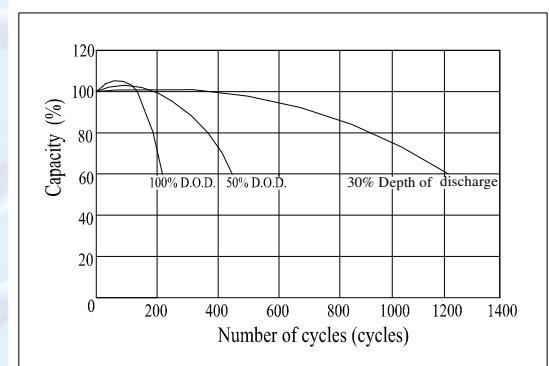
Nominal Voltage		12 V
Capacity(20HR, 25°C)		2.3 Ah
Dimension	Length	182mm (7.17inch)
	Width	24mm (0.94inch)
	Height	62mm (2.44inch)
	Total Height	62mm (2.44inch)
Approx. Weight		0.71kg (1.57lbs)
Internal resistance (Fully charged, 25°C)		Approx. 130mΩ
Capacity affected by temperature (20HR)	40°C	102%
	25°C	100%
	0°C	85%
	-15°C	65%
Self-discharge (25°C)	3 month	Remaining Capacity: 91%
	6 month	Remaining Capacity: 82%
	12 month	Remaining Capacity: 65%
Nominal operating temperature		25°C±3°C (77°F±5°F)
Operating temperature range		-15°C~50°C (5°F~122°F)
Float charging voltage(25°C)		13.60 to 13.80V
Cyclic charging voltage(25°C)		14.50 to 14.90V
Maximum charging current		0.69A
Terminal material		Copper
Maximum discharge current		11.5A(5 sec.)

- AGMA and VRLA technology;
- Recognized by UL & CE;
- ABS container. Orange, Blue or Black Color.

### Charging Characteristics(25°C)



### Cycle Life (25°C)



Note: Floating life at 20°C designed for 5 years.

### Constant Current Discharge Characteristics (A, 25°C)

F.V/TIME	5min	10min	15min	30min	60min	3h	5h	10h	20h
9.60V	7.70	4.80	3.85	2.35	1.38	0.53	0.38	0.20	0.117
10.2V	7.32	4.56	3.70	2.26	1.32	0.52	0.37	0.20	0.116
10.8V	6.88	4.29	3.51	2.14	1.26	0.51	0.36	0.20	0.115

### Constant Power Discharge Characteristics (Watt, 25°C)

F.V/TIME	5min	10min	15min	30min	60min	3h	5h	10h	20h
9.60V	85.9	54.1	43.9	26.9	16.0	6.27	4.48	2.41	1.40
10.2V	81.6	51.4	42.1	25.9	15.3	6.18	4.42	2.41	1.39
10.8V	76.7	48.4	40.0	24.6	14.6	6.05	4.33	2.41	1.38