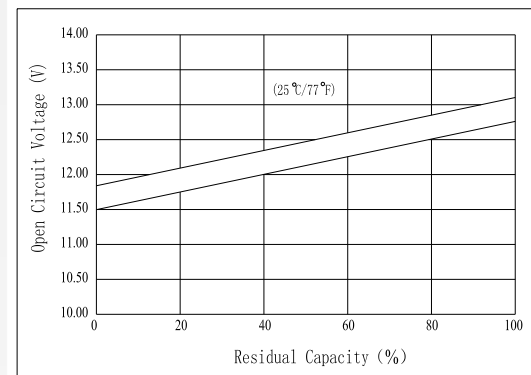
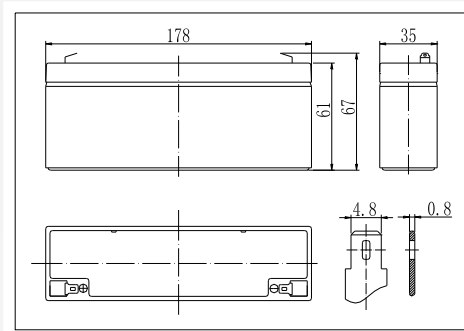
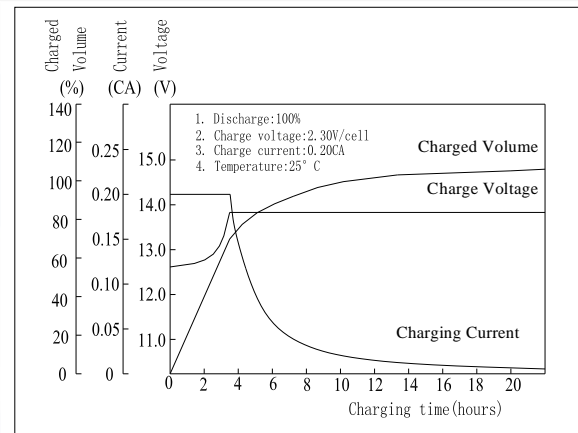
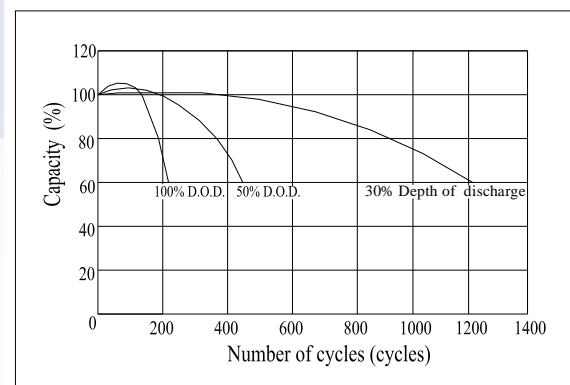


The Relationship for Open Circuit Voltage and Residual Capacity (25°C)
Dimensions

Specifications

Nominal Voltage		12 V
Capacity(20HR, 25°C)		2.3 Ah
Dimension	Length	178mm (7.01inch)
	Width	35mm (1.38inch)
	Height	61mm (2.40inch)
	Total Height	67mm (2.64inch)
Approx. Weight		0.99kg (2.18lbs)
Internal resistance (Fully charged, 25°C)		Approx. 60m Ω
Capacity affected by temperature (20HR)	40°C	102%
	25°C	100%
	0°C	85%
	-15°C	65%
Self-discharge (25°C)	3 month	Remaining Capacity: 91%
	6 month	Remaining Capacity: 82%
	12 month	Remaining Capacity: 65%
Nominal operating temperature		25°C ± 3°C (77°F ± 5°F)
Operating temperature range		-15°C ~ 50°C (5°F ~ 122°F)
Float charging voltage(25°C)		13.60 to 13.80V
Cyclic charging voltage(25°C)		14.50 to 14.90V
Maximum charging current		0.69A
Terminal material		Copper
Maximum discharge current		34.5A(5 sec.)

Charging Characteristics(25°C)

Cycle Life(25°C)


- ◆ AGM and VRLA technology;
- ◆ Recognized by UL & CE;
- ◆ ABS container. Orange, Blue or Black Color

Note: Floating life at 20°C designed for 5 years.

Constant Current Discharge Characteristics (A, 25°C)

F.V/TIME	5min	10min	15min	30min	60min	3h	5h	10h	20h
9.60V	9.20	5.80	4.50	2.60	1.54	0.59	0.40	0.22	0.11
10.2V	8.74	5.51	4.32	2.50	1.48	0.58	0.39	0.22	0.11
10.8V	8.22	5.18	4.10	2.37	1.40	0.57	0.38	0.22	0.11

Constant Power Discharge Characteristics (Watt, 25°C)

F.V/TIME	5min	10min	15min	30min	60min	3h	5h	10h	20h
9.60V	103	65.4	51.3	29.8	17.8	6.99	4.73	2.67	1.34
10.2V	97.5	62.2	49.2	28.6	17.1	6.89	4.66	2.64	1.33
10.8V	91.7	58.4	46.8	27.2	16.3	6.75	4.56	2.66	1.32