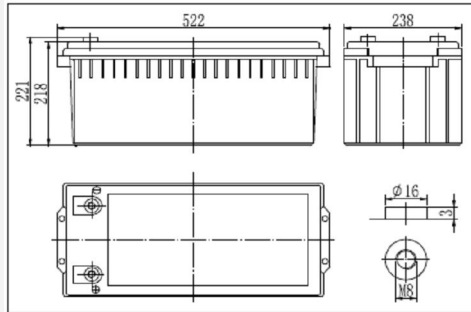


## Dimensions



## Specifications

Nominal Voltage		12 V
Capacity(10HR, 25°C)		205 Ah
Dimension	Length	522mm (20.55inch)
	Width	238mm (9.37inch)
	Height	218mm (8.58inch)
	Total Height	221 mm (8.70inch)
Approx. Weight		65kg (143lbs)
Internal resistance (Fully charged, 25°C)		Approx. 3.5m Ω
Capacity affected by temperature (10HR)	40°C	102%
	25°C	100%
	0°C	85%
	-15°C	65%
Self-discharge (25°C)	3 month	Remaining Capacity: 91%
	6 month	Remaining Capacity: 82%
	12 month	Remaining Capacity: 65%
Nominal operating temperature		25°C ± 3°C (77°F ± 5°F)
Operating temperature range		-15°C-50°C (5°F-122°F)
Float charging voltage(25°C)		13.50 to 13.80V
Cyclic charging voltage(25°C)		14.50 to 14.90V
Maximum charging current		60A
Terminal material		Copper
Maximum discharge current		1500A(5 sec.)

- ◆ AGM and VRLA technology;
- ◆ Recognized by UL & CE;
- ◆ ABS container. Orange, Blue or Black Color.

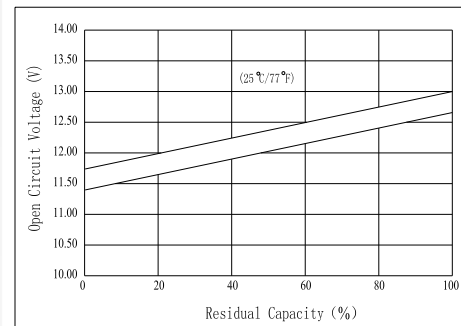
## Constant Current Discharge Characteristics (A, 25°C)

F.V/TIME	5min	10min	15min	30min	60min	3h	5h	10h	20h
9.60V	651	430	363	209	135	55.0	38.2	20.3	10.4
10.2V	615	409	350	202	127	53.5	37.0	20.1	10.3
10.8V	575	380	331	190	119	52.4	36.3	20.0	10.2

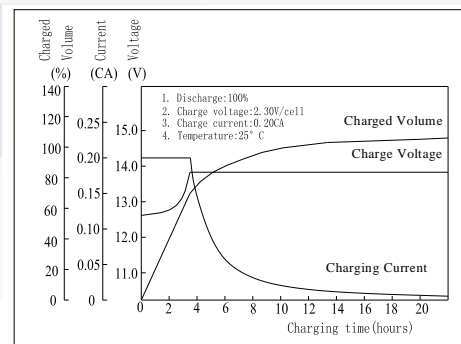
## Constant Power Discharge Characteristics (Watt, 25°C)

F.V/TIME	5min	10min	15min	30min	60min	3h	5h	10h	20h
9.60V	6720	4550	4010	2319	1482	639	444	242	124
10.2V	6480	4400	3852	2227	1423	629	437	240	123
10.8V	6012	4123	3651	2136	1352	617	429	240	122

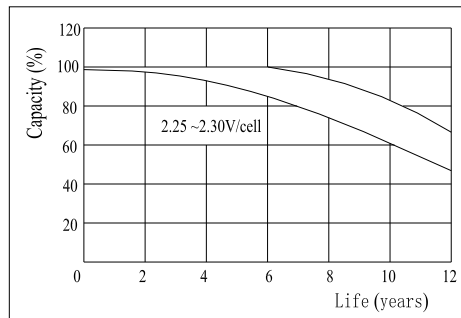
## The Relationship for Open Circuit Voltage and Residual Capacity (25°C)



## Charging Characteristics(25°C)



## Floating Life Characteristics (25°C)



Note: Floating life at 20°C designed for 10 years