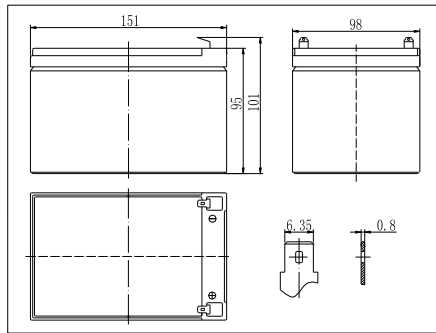
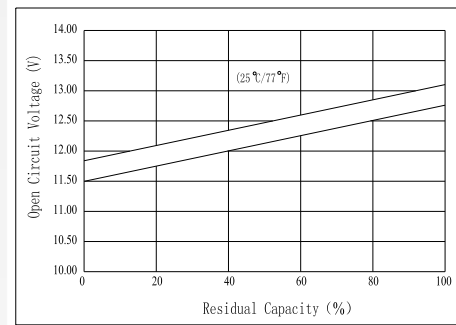
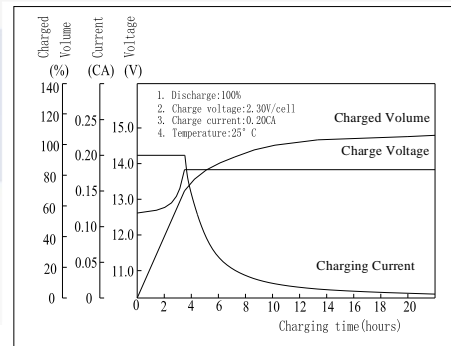
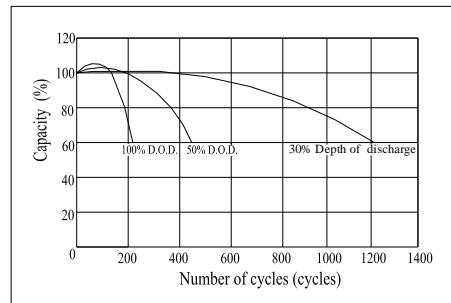


Dimensions

The Relationship for Open Circuit Voltage and Residual Capacity (25°C)

Specifications

Nominal Voltage		12 V
Capacity(20HR, 25°C)		12 Ah
Dimension	Length	151mm (5.94inch)
	Width	98mm (3.86inch)
	Height	95mm (3.74inch)
	Total Height	101mm (3.98inch)
Approx. Weight		3.70kg (8.16lbs)
Internal resistance (Fully charged, 25°C)		Approx. 19mΩ
Capacity affected by temperature (20HR)	40°C	102%
	25°C	100%
	0°C	85%
	-15°C	65%
Self-discharge (25°C)	3 month	Remaining Capacity: 91%
	6 month	Remaining Capacity: 82%
	12 month	Remaining Capacity: 65%
Nominal operating temperature		25°C ± 3°C (77°F ± 5°F)
Operating temperature range		-15°C ~ -50°C (5°F ~ 122°F)
Float charging voltage(25°C)		13.60 to 13.80V
Cyclic charging voltage(25°C)		14.50 to 14.90V
Maximum charging current		3.6A
Terminal material		Copper
Maximum discharge current		180A(5 sec.)

Charging Characteristics(25°C)

Cycle Life(25°C)


Note: Floating life at 20°C designed for 5 years.

- ◆ AGM and VRLA technology;
- ◆ Recognized by UL & CE;
- ◆ ABS container. Orange, Blue or Black Color.

Constant Current Discharge Characteristics (A, 25°C)

F.V/TIME	5min	10min	15min	30min	60min	3h	5h	10h	20h
9.60V	46.0	31.0	24.5	13.5	7.80	3.17	2.08	1.12	0.60
10.2V	43.7	29.5	23.5	13.0	7.49	3.12	2.05	1.11	0.59
10.8V	41.0	27.7	22.3	12.3	7.11	3.06	2.01	1.10	0.59

Constant Power Discharge Characteristics (Watt, 25°C)

F.V/TIME	5min	10min	15min	30min	60min	3h	5h	10h	20h
9.60V	513	350	279	155	90.3	37.6	25.0	13.4	7.20
10.2V	488	332	268	149	86.7	37.1	24.5	13.3	7.10
10.8V	458	312	255	141	82.4	36.3	24.0	13.3	7.10