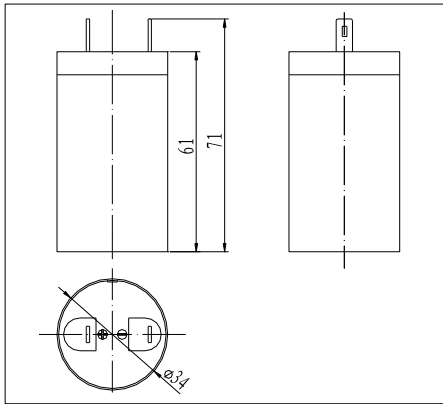
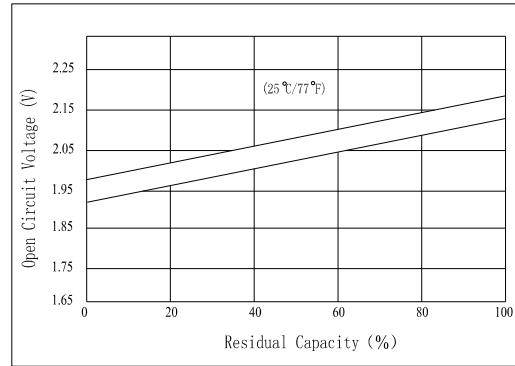


**Dimensions**



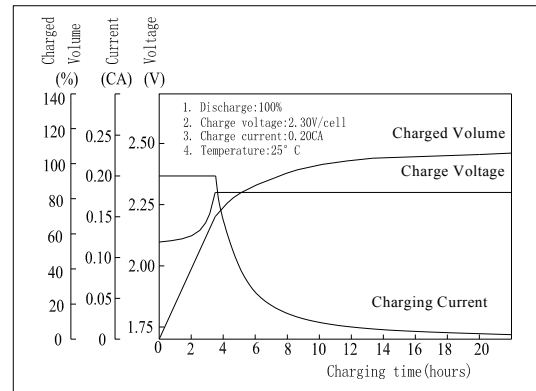
**The Relationship for Open Circuit Voltage and Residual Capacity (25°C)**



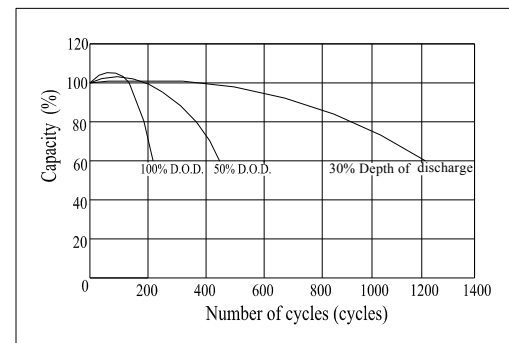
**Specifications**

|   |              |                           |
|---|--------------|---------------------------|
| Nominal Voltage                           |              | 2 V                       |
| Capacity(20HR, 25°C)                      |              | 2.5Ah                     |
| Dimension                                 | Length       | φ 34mm (1.34inch)         |
|   | Width        | /                         |
|   | Height       | 61mm (2.40inch)           |
|   | Total Height | 71mm (2.80inch)           |
| Approx. Weight                            |              | 0.16kg (0.35lbs)          |
| Internal resistance (Fully charged, 25°C) |              | Approx.6m Ω               |
| Capacity affected by temperature (20HR)   | 40°C         | 102%                      |
|   | 25°C         | 100%                      |
|   | 0°C          | 85%                       |
|   | -15°C        | 65%                       |
| Self-discharge (25°C)                     | 3 month      | Remaining Capacity: 91%   |
|   | 6 month      | Remaining Capacity: 82%   |
|   | 12 month     | Remaining Capacity: 65%   |
| Nominal operating temperature             |              | 25°C ±3°C(77°F ±5°F)      |
| Operating temperature range               |              | -15°C ~50°C (5°F ~122°F ) |
| Float charging voltage(25°C)              |              | 2.27 to 2.30V             |
| Cyclic charging voltage(25°C)             |              | 2.42 to 2.48V             |
| Maximum charging current                  |              | 0.75A                     |
| Terminal material                         |              | Copper                    |
| Maximum discharge current                 |              | 37.5A(5 sec.)             |

**Charging Characteristics(25°C)**



**Cycle Life(25°C)**



- ◆ Absorbent glass mat technology;
- ◆ Recognized by UL & CE;
- ◆ ABS container.

Note: Floating life at 20°C designed for 3 to 5 years.

**Constant Current Discharge Characteristics (A, 25°C)**

| F.V/TIME | 5min | 10min | 15min | 30min | 60min | 3h   | 5h   | 10h  | 20h   |
|----------|------|-------|-------|-------|-------|------|------|------|-------|
| 1.60V    | 11.8 | 7.00  | 5.00  | 3.20  | 1.75  | 0.65 | 0.41 | 0.22 | 0.127 |
| 1.70V    | 11.2 | 6.65  | 4.80  | 3.07  | 1.68  | 0.64 | 0.40 | 0.22 | 0.126 |
| 1.80V    | 10.5 | 6.25  | 4.56  | 2.92  | 1.60  | 0.63 | 0.39 | 0.22 | 0.125 |

**Constant Power Discharge Characteristics (Watt, 25°C)**

| F.V/TIME | 5min | 10min | 15min | 30min | 60min | 3h   | 5h   | 10h  | 20h  |
|----------|------|-------|-------|-------|-------|------|------|------|------|
| 1.60V    | 21.9 | 13.2  | 9.50  | 6.11  | 3.38  | 1.29 | 0.81 | 0.45 | 0.25 |
| 1.70V    | 20.9 | 12.5  | 9.12  | 5.87  | 3.24  | 1.27 | 0.80 | 0.44 | 0.25 |
| 1.80V    | 19.6 | 11.8  | 8.66  | 5.57  | 3.08  | 1.24 | 0.78 | 0.44 | 0.25 |