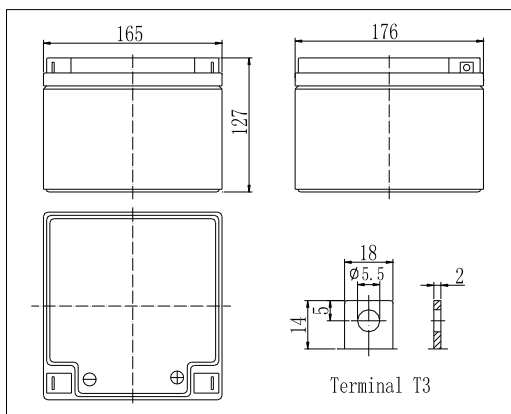
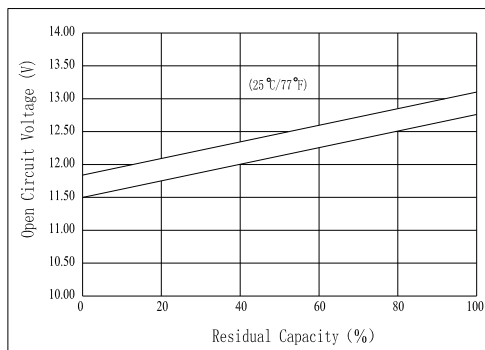


Dimensions



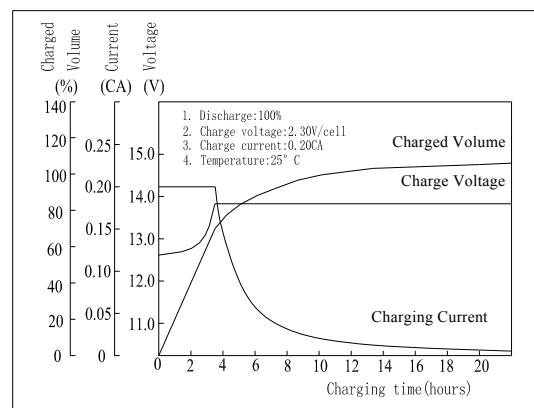
The Relationship for Open Circuit Voltage and Residual Capacity (25°C)



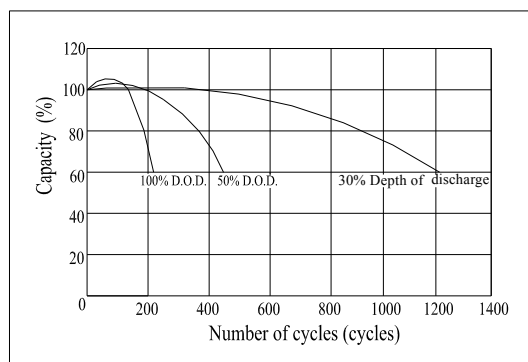
Specifications

| | | |
|---|--------------|---------------------------|
| Nominal Voltage | | 12 V |
| Capacity(20HR, 25°C) | | 26Ah |
| Dimension | Length | 165mm (6.50inch) |
| | Width | 176mm (6.939inch) |
| | Height | 127mm (5.0inch) |
| | Total Height | 127mm (5.0inch) |
| Approx. Weight | | 8.4kg (18.5lbs) |
| Internal resistance (Fully charged, 25°C) | | Approx. 12m Ω |
| Capacity affected by temperature (20HR) | 40°C | 102% |
| | 25°C | 100% |
| | 0°C | 85% |
| | -15°C | 65% |
| Self-discharge (25°C) | 3 month | Remaining Capacity: 91% |
| | 6 month | Remaining Capacity: 82% |
| | 12 month | Remaining Capacity: 65% |
| Nominal operating temperature | | 25°C ±3°C(77°F ±5°F) |
| Operating temperature range | | -15°C ~50°C (5°F ~122°F) |
| Float charging voltage(25°C) | | 13.60 to 13.80V |
| Cyclic charging voltage(25°C) | | 14.50 to 14.90V |
| Maximum charging current | | 7.8A |
| Terminal material | | Copper |
| Maximum discharge current | | 390A(5 sec.) |

Charging Characteristics(25°C)



Cycle Life(25°C)



Note: Floating life at 20°C designed for 3 to 5 years.

- ◆ Absorbent glass mat technology;
- ◆ Recognized by UL & CE;
- ◆ ABS container.

Constant Current Discharge Characteristics (A, 25°C)

| F.V/TIME | 5min | 10min | 15min | 30min | 60min | 3h | 5h | 10h | 20h |
|----------|------|-------|-------|-------|-------|------|------|------|------|
| 9.60V | 95.0 | 65.0 | 46.5 | 28.2 | 16.2 | 6.93 | 4.51 | 2.47 | 1.30 |
| 10.2V | 90.2 | 61.8 | 44.6 | 27.2 | 15.7 | 6.80 | 4.42 | 2.43 | 1.30 |
| 10.8V | 84.8 | 58.0 | 42.4 | 26.0 | 15.0 | 6.56 | 4.28 | 2.37 | 1.25 |

Constant Power Discharge Characteristics (Watt, 25°C)

| F.V/TIME | 5min | 10min | 15min | 30min | 60min | 3h | 5h | 10h | 20h |
|----------|------|-------|-------|-------|-------|------|------|------|------|
| 9.60V | 1060 | 733 | 530 | 323 | 188 | 82.3 | 53.8 | 29.6 | 15.6 |
| 10.2V | 1006 | 697 | 508 | 312 | 182 | 80.8 | 52.8 | 29.1 | 15.6 |
| 10.8V | 946 | 654 | 483 | 280 | 174 | 77.9 | 51.1 | 28.4 | 15.0 |