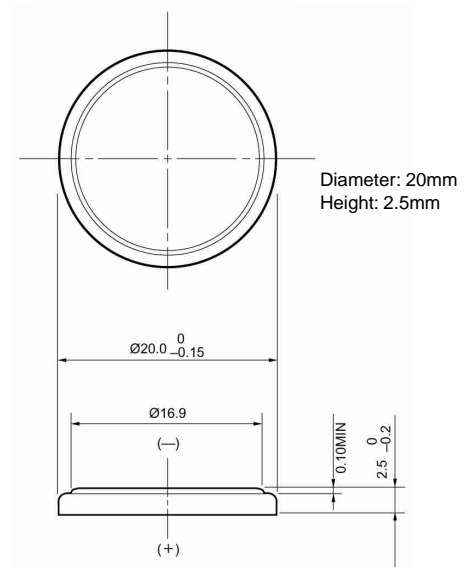


Description : Flat Lithium Battery
Chemical system : Lithium Manganese Dioxide
Nominal voltage : 3 Volts
Nominal capacity : 160mAh
Dimensions : $\varnothing 20.0 \times 2.5\text{mm}$
Shelf life : 5 years at room temperature
Average weight : 2.4 grams
Application : Computer memory back up, Photo

Cross References:

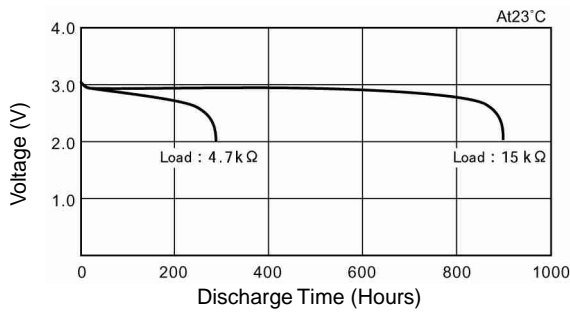
IEC	JIS	Eveready	Varta	Duracell
CR2025	CR2025	ECR2025	CR2025	DL2025

Model No.: CR2025

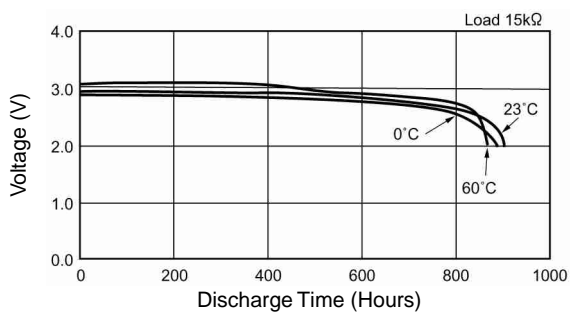


Dimension Drawing

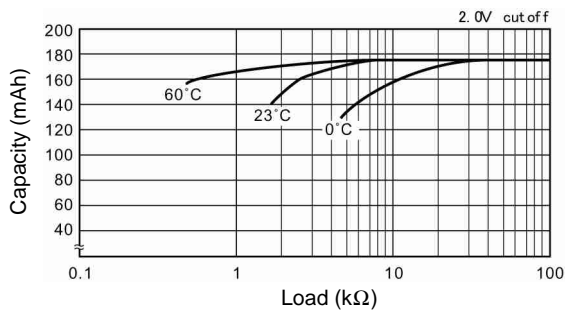
Discharge Characteristics on Load



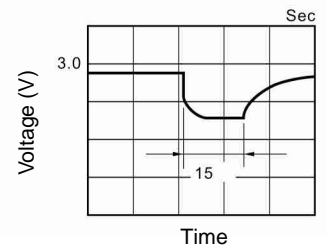
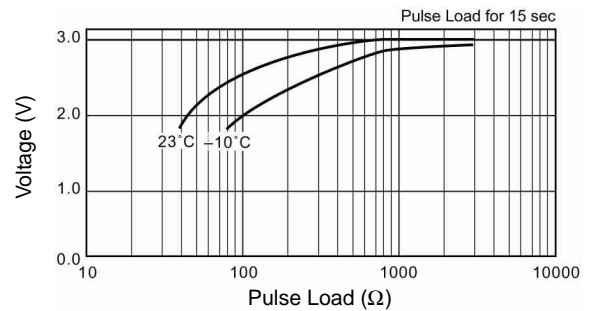
Discharge Characteristics on Temperature



Discharge Load vs. Discharge Capacity



Discharge Characteristics on Pulse Load (Discharge depth 40%)



The information (subject to change without prior notice) contained in this document is for reference only and should not be used as a basis for product guarantee or warranty. For applications other than those described here, please consult your nearest GP Sales and Marketing Office or Distributors.