

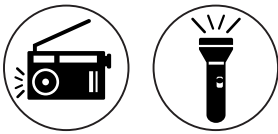


COLPILAS
la Energía del Futuro
SOLAR

BENEFITS:

- Ready to use
- Stay charged longer when not in use
- Cost saving & environmentally friendly

APPLICATIONS BEST FOR:



OTHER DETAILS:

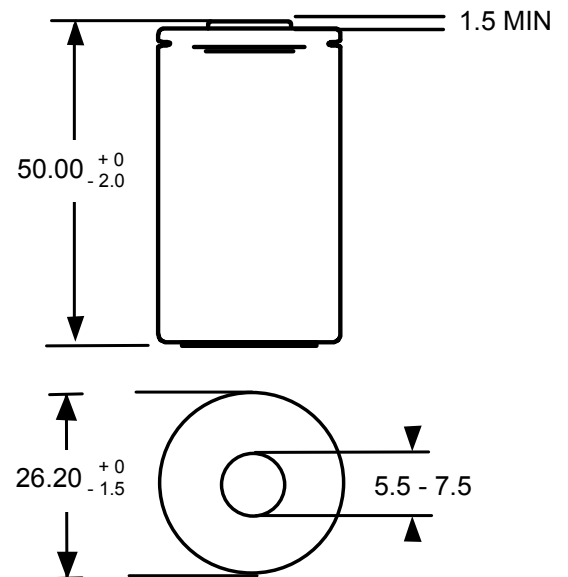
- Nickel Metal Hydride chemistry
- Nominal voltage 1.2V
- Gross weight ~70g

BATTERY HANDLING

- Remove batteries from the electrical device if the device is not going to be used for a long period of time.
- Do not mix new batteries in use with semi-used batteries.



- GP ReCyko+ battery
- C size
- Minimum capacity 3000mAh



Unit : mm

Model No.: **GP300CHCB**