

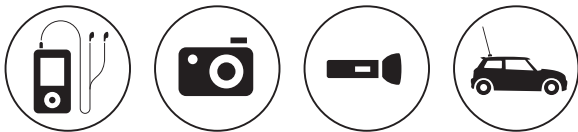


COLPILAS
la Energía del Futuro
SOLAR

BENEFITS:

- Ready to use
- Last longer than Alkaline batteries
- Stay charged longer when not in use
- Compatible with high to low drain devices
- Can be charged in most rechargeable chargers
- Cost saving & environmentally friendly

APPLICATIONS BEST FOR:



OTHER DETAILS:

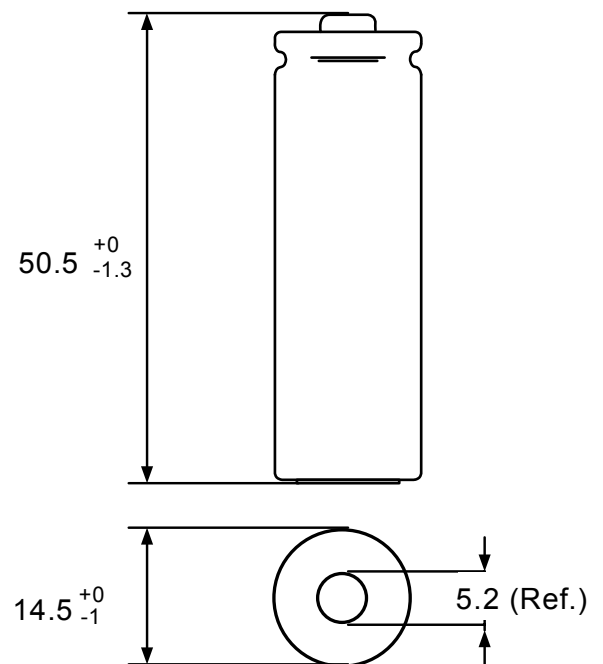
- Nickel Metal Hydride chemistry
- Nominal voltage 1.2V
- Gross weight ~30g

BATTERY HANDLING

- Remove batteries from the electrical device if the device is not going to be used for a long period of time.
- Do not mix new batteries in use with semi-used batteries.



- **GP ReCyko+ battery**
- **AA size**
- **Minimum capacity 2000mAh**



Unit : mm

Model No.: **GP210AAHCB**