

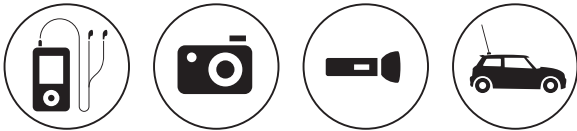


**COLPILAS**  
la Energía del Futuro  
**SOLAR**

### BENEFITS:

- Ready to use once charged
- Stay charged longer when not in use
- Can be charged in most rechargeable chargers
- Cost saving & environmentally friendly

### APPLICATIONS BEST FOR:



### OTHER DETAILS:

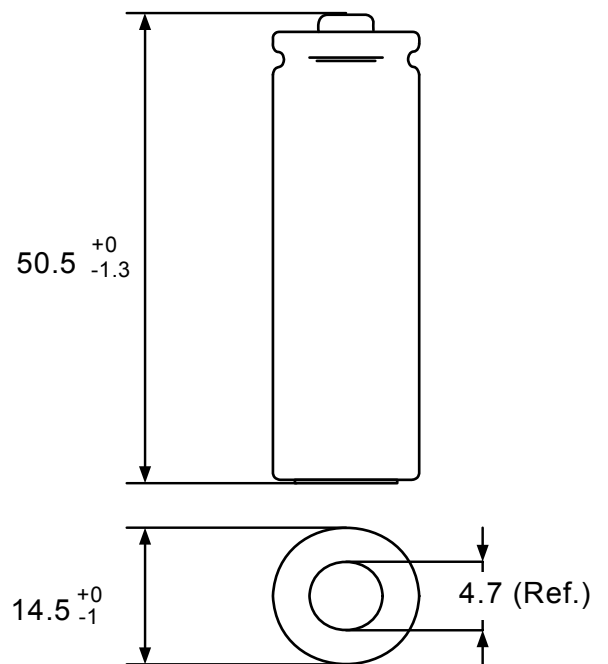
- Nickel Metal Hydride chemistry
- Nominal voltage 1.2V
- Gross weight ~25g

### BATTERY HANDLING

- Batteries should be charged prior to use.
- Remove batteries from the electrical device if the device is not going to be used for a long period of time.
- Do not mix new batteries in use with semi-used batteries.
- In order to maintain satisfactory cell / battery performance when being stored under extending period of time, fully charge the cell / battery within 12 months period is highly recommended.



- **GP 1300 series**  
**Rechargeable battery**
- **AA size**
- **Minimum capacity 1300mAh**



Unit : mm

Model No.: **GP130AAHC**