

### BENEFITS:

- Lasts longer in various kinds of small portable electronic devices



### APPLICATIONS BEST FOR:



- GP Alkaline Cell Battery
- 1.5 Volts

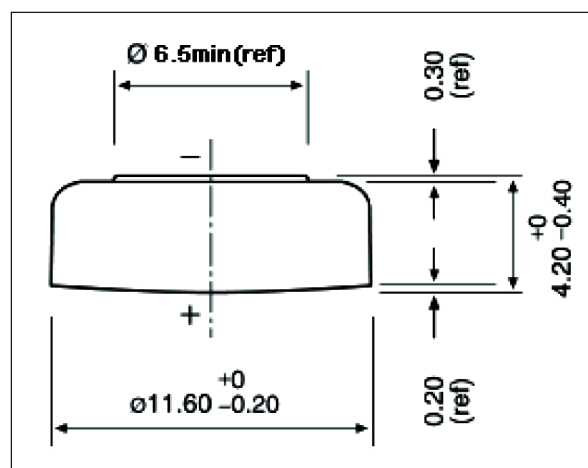
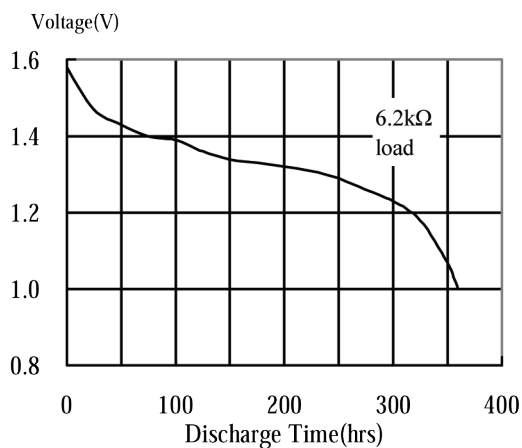
### Other Details:

- Alkaline Manganese Dioxide chemistry
- Button cell type
- Average weight: 1.4g

### CROSS REFERENCES:

GP	IEC/Sony Duracell/Maxell	Energizer	Varta
186	LR43	186	V12GA

### Typical Discharge characteristics at 20 ± 2 °C



Unit : mm

Model No.: **GP186**